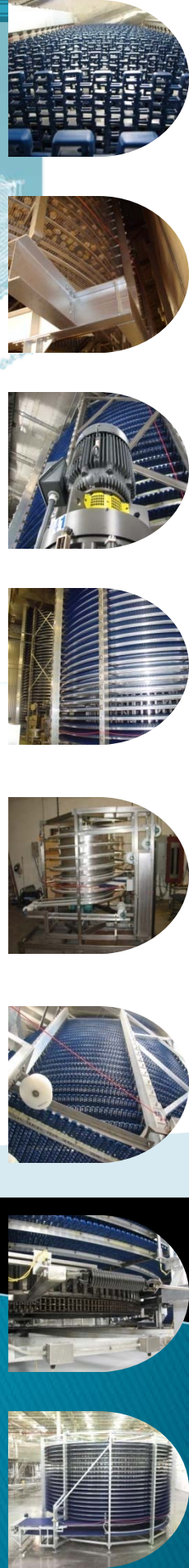
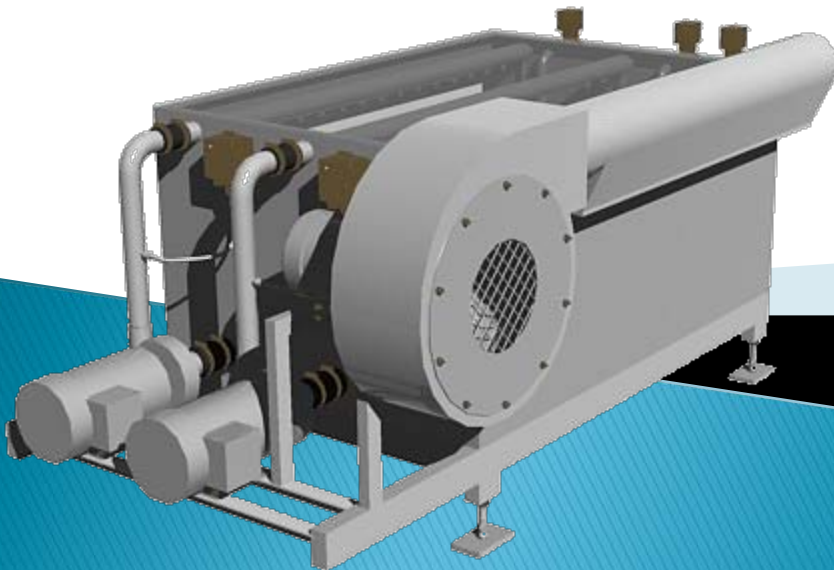


# G&F SYSTEMS

Designers & Manufacturers of Spiral Conveyors

# CONVEYOR BELT SANITATION



[www.gfsystems.com](http://www.gfsystems.com)  
516-868-4923  
Roosevelt NY USA

# The Belt Washer

is constructed of stainless steel and comes complete with water manifolds and air manifolds. The nozzles are stainless steel and are designed offset and staggered to give the belt complete coverage. The water manifolds oppose each other. The air manifolds are applied to the topside of the belt to assist in drip-drying the belt. Portable unit option available.

# G & F SYSTEMS

Designers & Manufacturers of Spiral Conveyors

Choice of CIP, Belt Washers, Portable Unit

# The Conveyor Belt Sanitation

Conveyor Belt Washer or optional (CIP) Clean-In-Place System are designed and manufactured to handle the heavy demands of the food industry. They remove allergens and stubborn soils from both sides of belt. Working with variety of belt widths in variety of temperature ranges. A portable unit allows a quick relocating from one belt to another.

